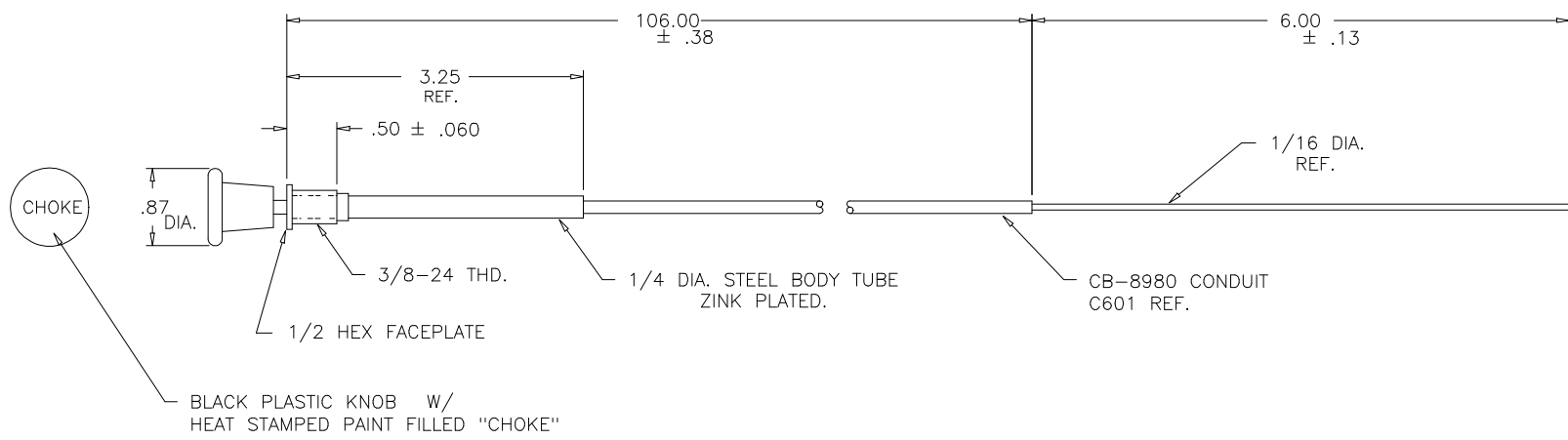


REV	PCO #	DATE	DESCRIPTION OF CHANGE-IS (WAS)	BY:
(A)	3315		RELEASED FOR PRODUCTION	
(B)	5147	2-7-95	ADDED C601 REF. AND TOLLERACE NOTES	LE
(C)	10785	05/03/10	CHANGED LENGTH OF CABLE TO 112" (68.5")	EM



NOTE:  
VENDOR: WESCON PRODUCTS COMPANY

313077 C

ONE-REQ.

Y  
 X

SOURCE:		AAR PowerBoss	
PN: MATL: SEE SPECS.		Aberdeen, North Carolina 28315 PHONE (919) 944-2105 FAX (919) 944-7409	
FINISH: NONE		CAD BY: GS	DATE: 7/23/92
UNSPECIFIED TOLERANCES		DESCRIPTION	
.X .1	ANGULAR:	CABLE CHOKE SW/62 GAS	
.XX .03	X .1°		
.XXX .010	X .5°		
DES. ENG:	PART NO. 313077	REV LEV C	SHT NO. 1 OF 1
ENG. REL:			